

Service Document Exchange Set

Livance GDP 2400

Service Manual
Sicherheit
Safety
Materialnr./Part No. 720108000001



Es gelten die Vorschriften und Sicherheitshinweise gemäß dem Service Manual "Sicherheit", Materialnummer 720108000001, sowie zusätzlich die eventuell abweichenden, landesspezifischen Vorschriften!



The regulations and safety instructions shall be valid as provided by the "Safety" Service Manual, part number 720108000001, as well as the respective national deviations.



Fig 1

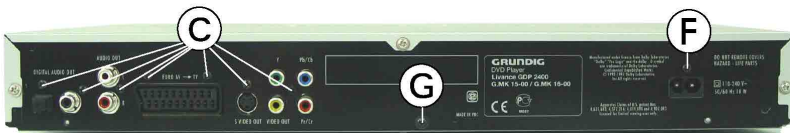


Fig 2

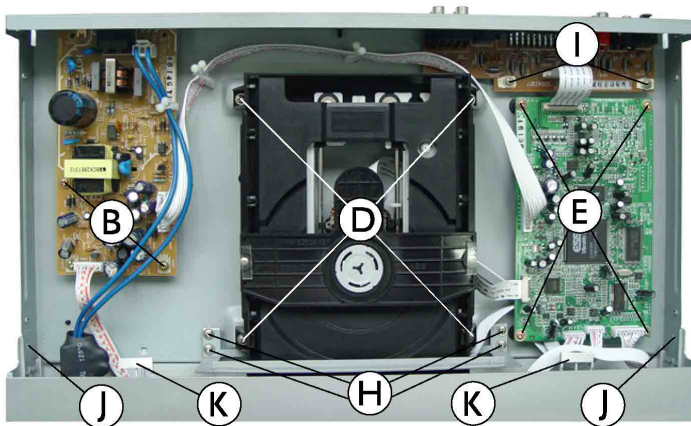


Fig 3

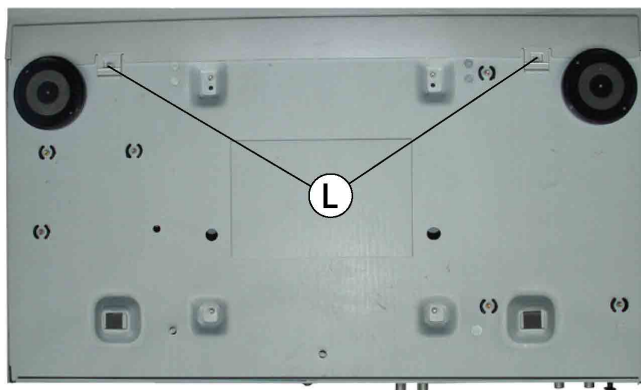


Fig 4

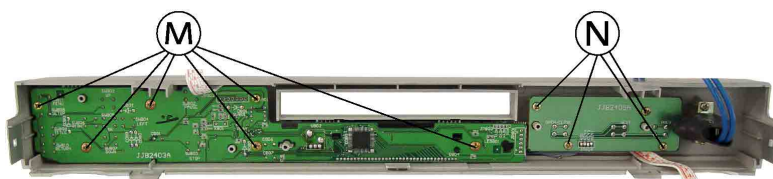


Fig 5

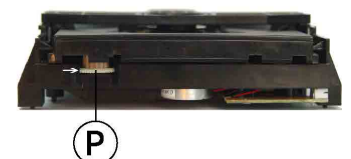


Fig 6

Disassembly Instructions

1. Cabinet Upper Part

- Undo the 7 screws A (Fig. 1).
- Bend the upper part of the cabinet at its centre, slide it to the rear then remove it.

Reassembly Hint:

- Place the upper part of the cabinet on the recesses K.

2. Front Panel

- Undo the 4 locking lugs J (Fig. 3) / L (Fig. 4) and then remove the front panel.
- Unplug the connectors if necessary.

3. VFD Driver and Key Control Board Units

- Remove the front panel (Point 2).
- Undo the 10 screws M / N (Fig. 5).
- Remove the VFD Driver and Key Control Board units.

4. Power Supply Board

- Undo the 2 screws B (Fig. 3).
- Undo the 1 screw F (Fig. 2).
- Remove the Power Supply Board from the unit.
- Unplug the connectors if necessary.

5. Main Board

- Undo the 4 screws E (Fig. 3).
- Remove the main board.
- Unplug the connectors if necessary.

6. Output Board

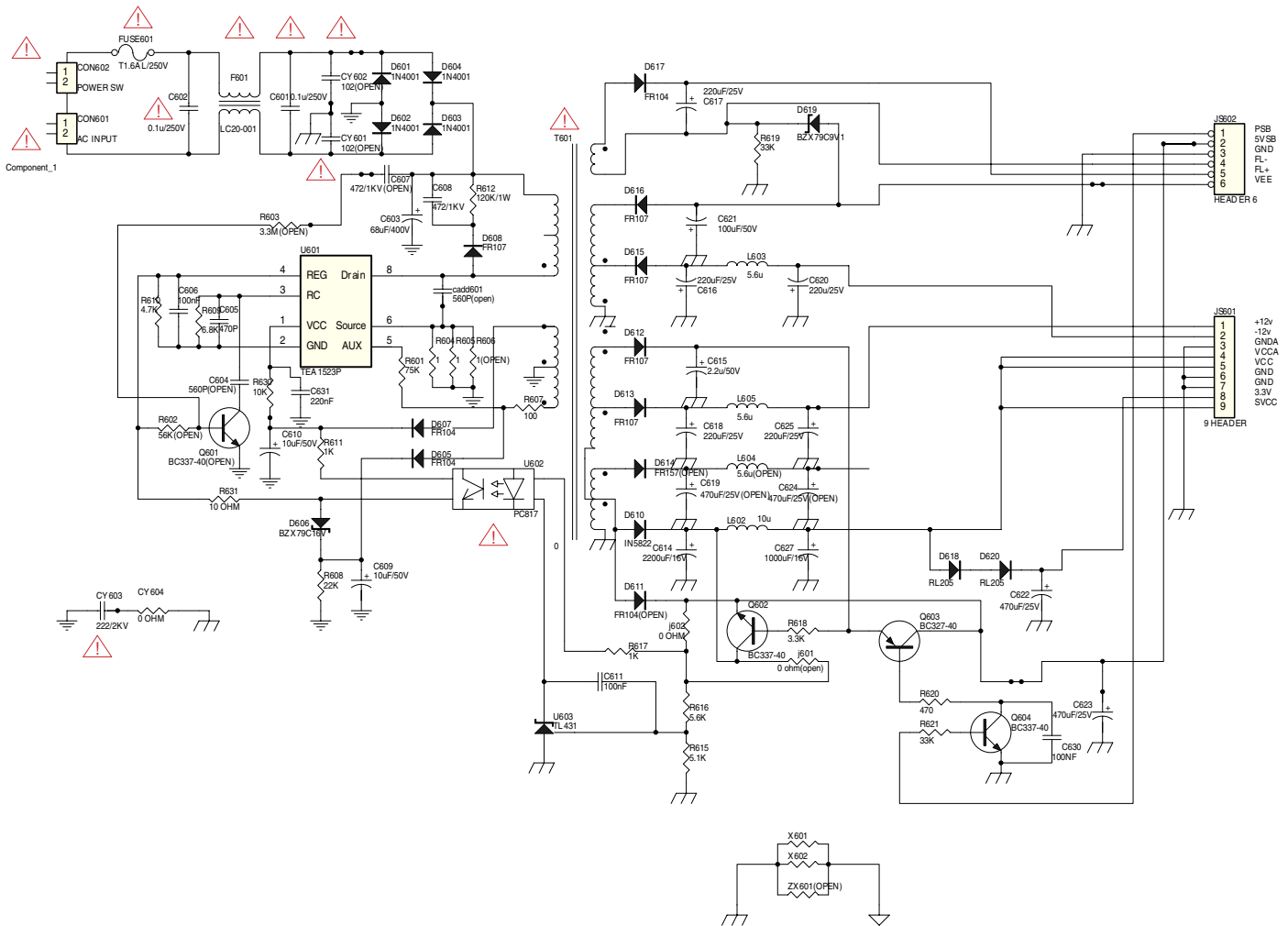
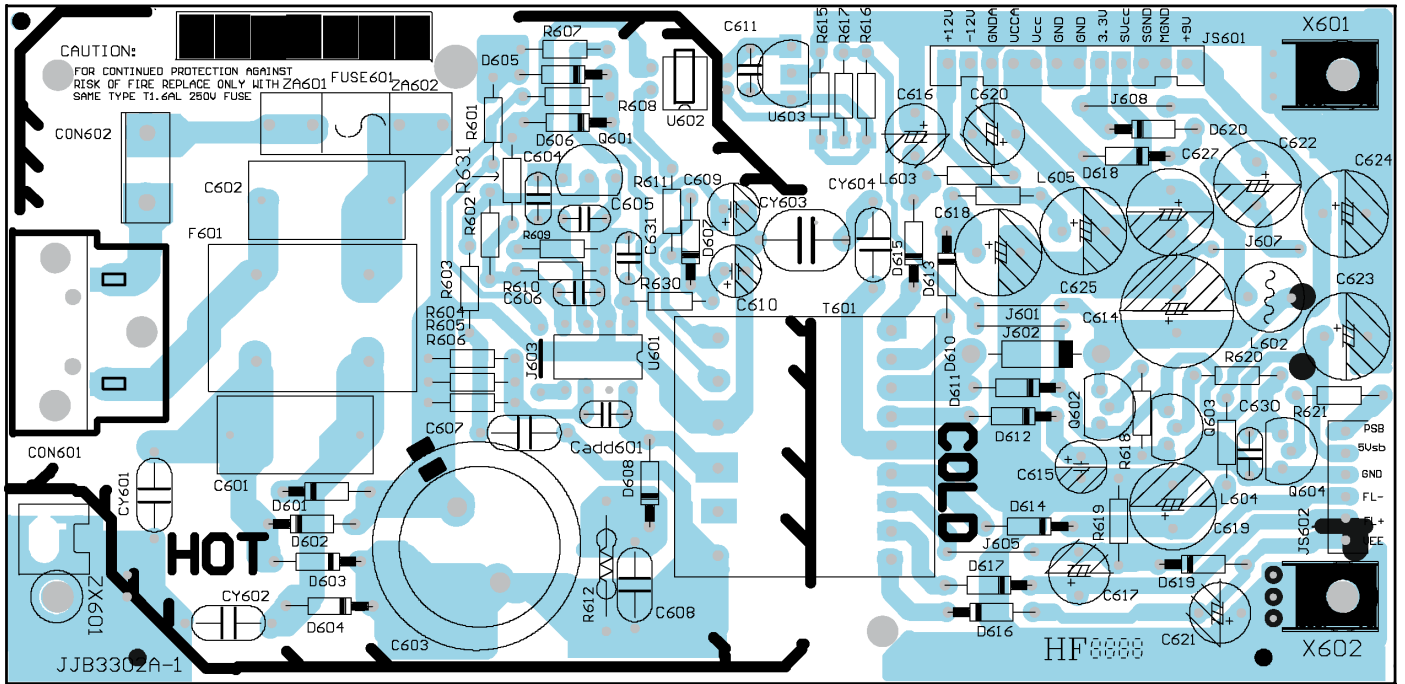
- Undo the 2 screws I (Fig. 3).
- Undo the 7 screws C (Fig. 2).
- Remove the output board.
- Unplug the connectors if necessary.

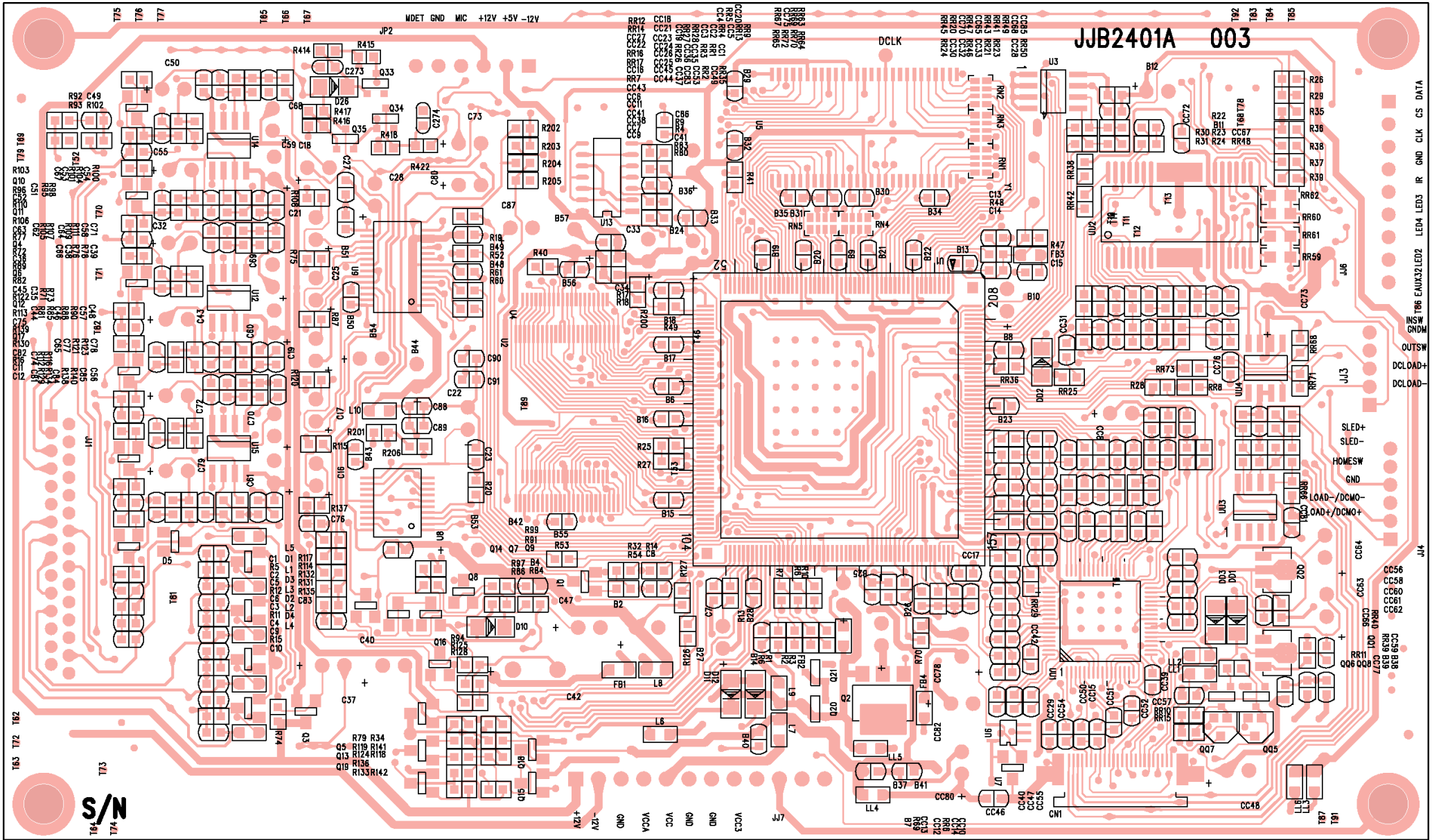
7. Drive Mechanism

- Undo the 4 screws D (Fig. 3).
- Lift the drive mechanism at its back part, slide it to the rear, and then remove it.
- Unplug the connectors if necessary.

8. Opening the Tray of a Defective Unit

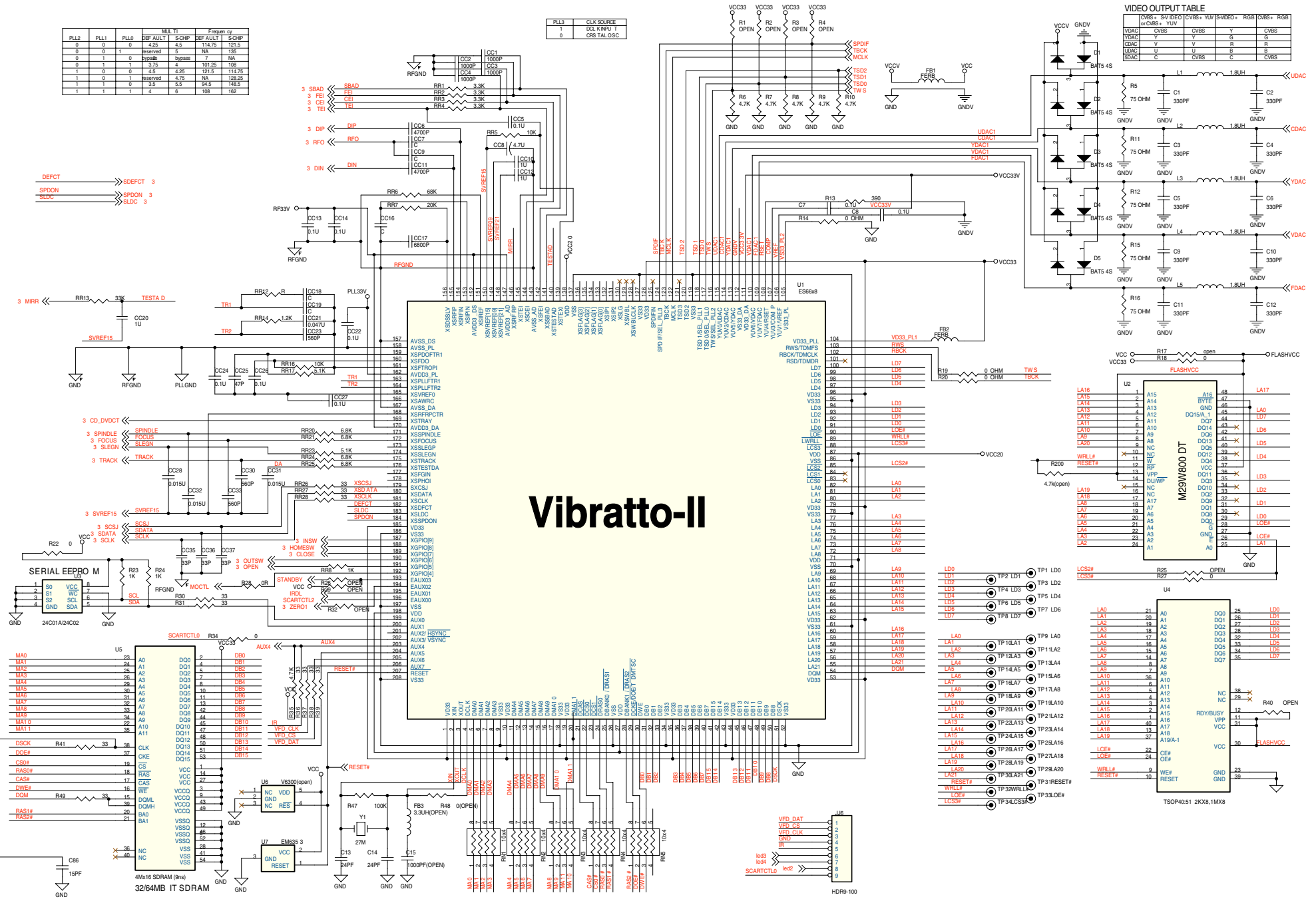
- Turn the toothed wheel P (Fig. 6) in direction of the arrow until the tray moves then pull out the tray completely.
- Remove the DVD/CD from the defective drive unit if necessary.





PLL2	PLL1	PLL0	ML1_T1	SCHP	DEF_AULT	SCHP	DEF_AULT	SCHP	Frequency
0	0	0	2.25	4.5	114.75	121.5			
0	0	1	reserved	5	NA	135			
0	1	0	bypass	bypass	7	NA			
0	1	1	4.75	4	107.25	108			
1	0	0	4.5	4.25	121.5	114.75			
1	0	1	reserved	4.75	NA	128.25			
1	1	0	4.5	4.5	114.75	114.75			
1	1	1	4	6	108	162			

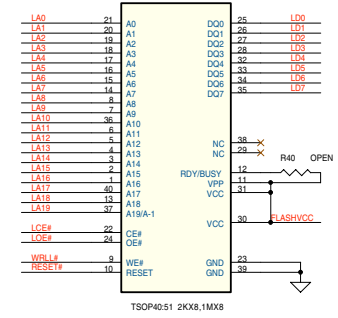
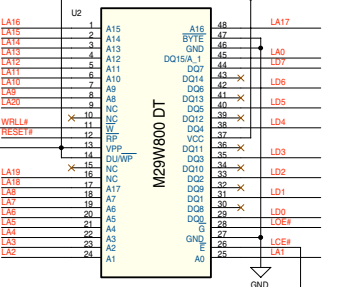
PLL3	CLK_SOURCE
1	DCL_K1RFU_T
0	CRG_TALOSC

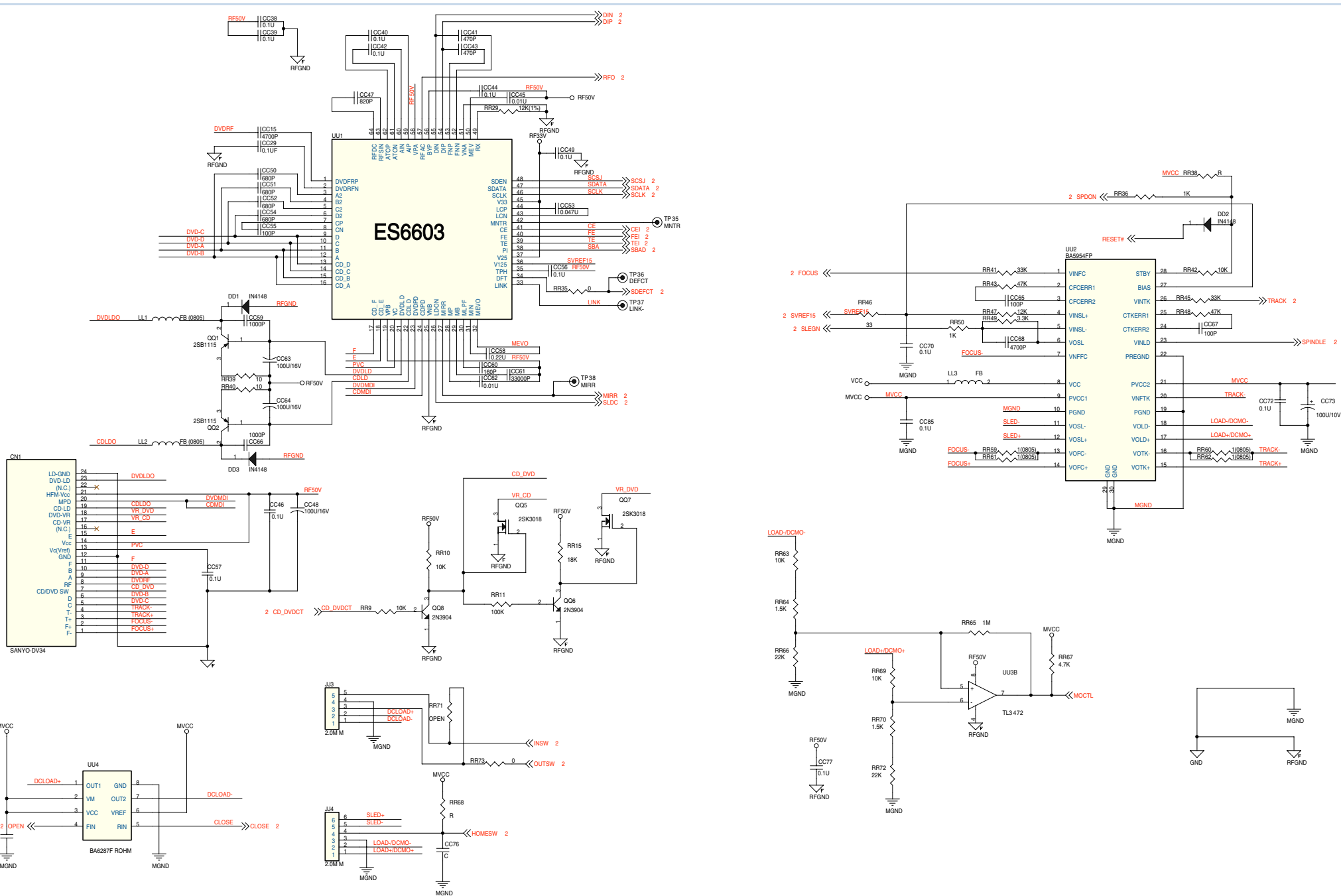


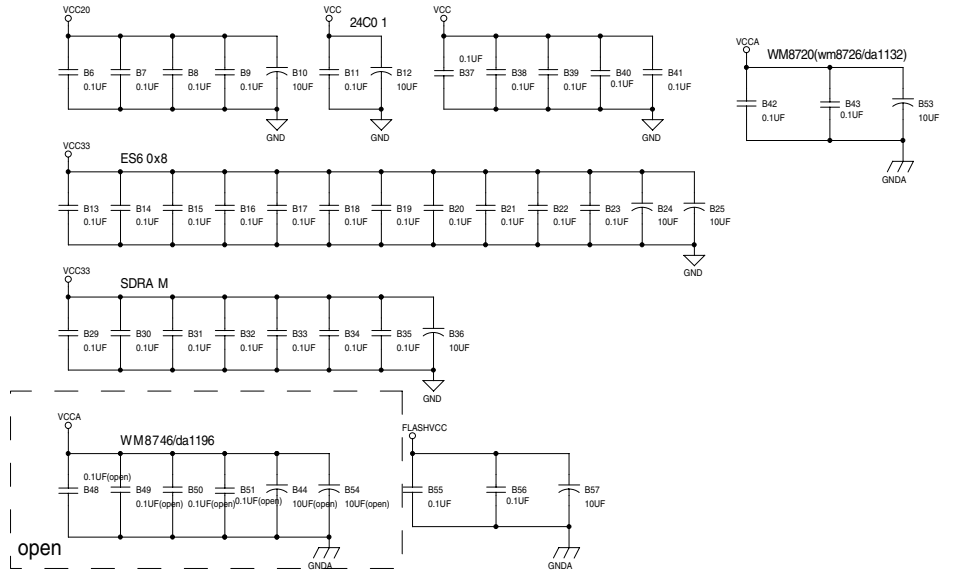
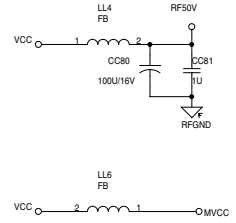
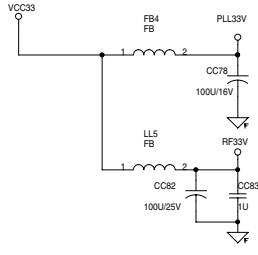
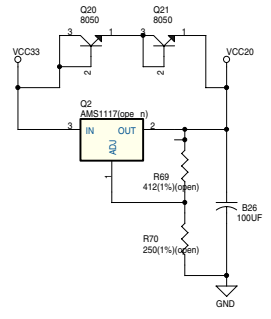
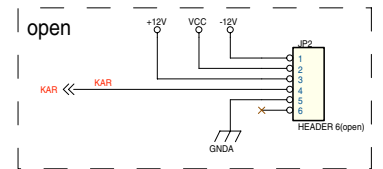
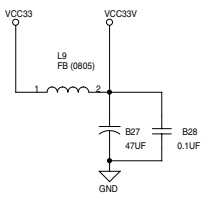
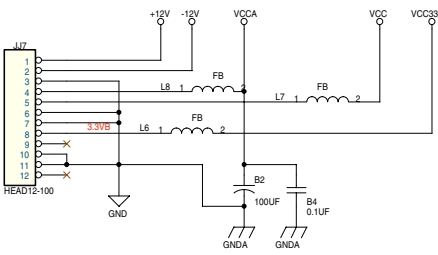
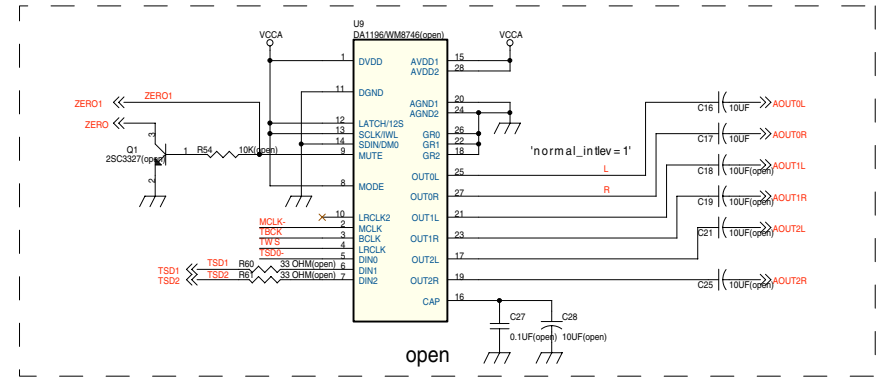
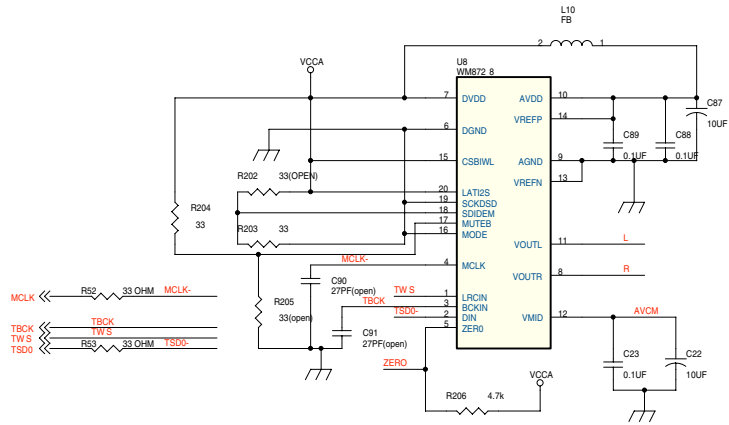
Vibratto-II

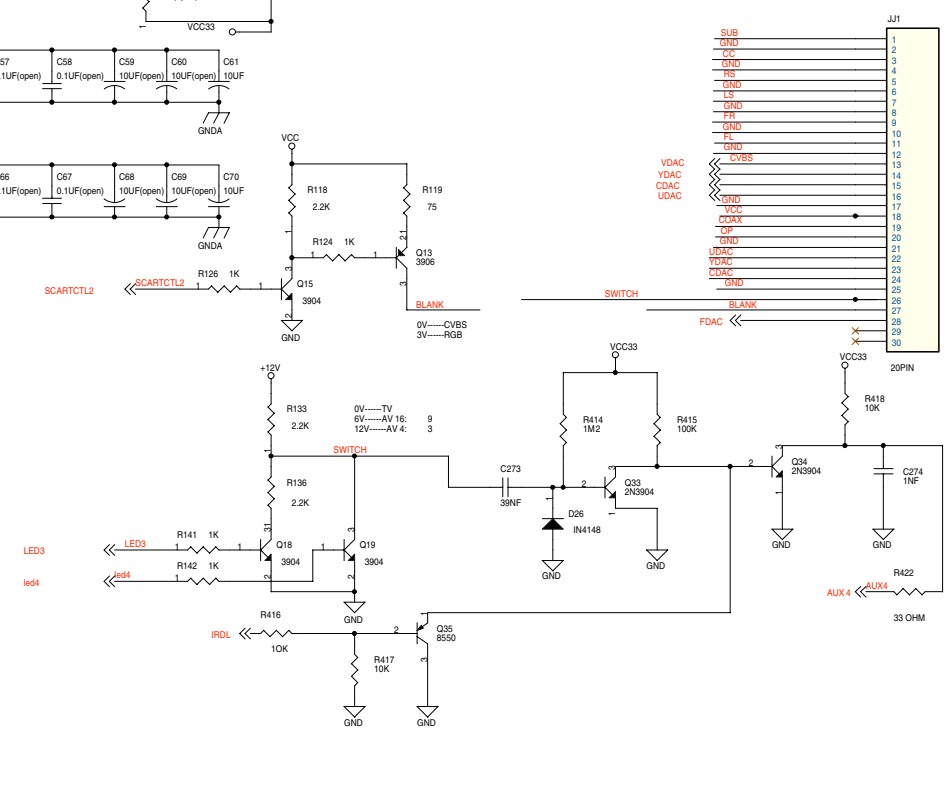
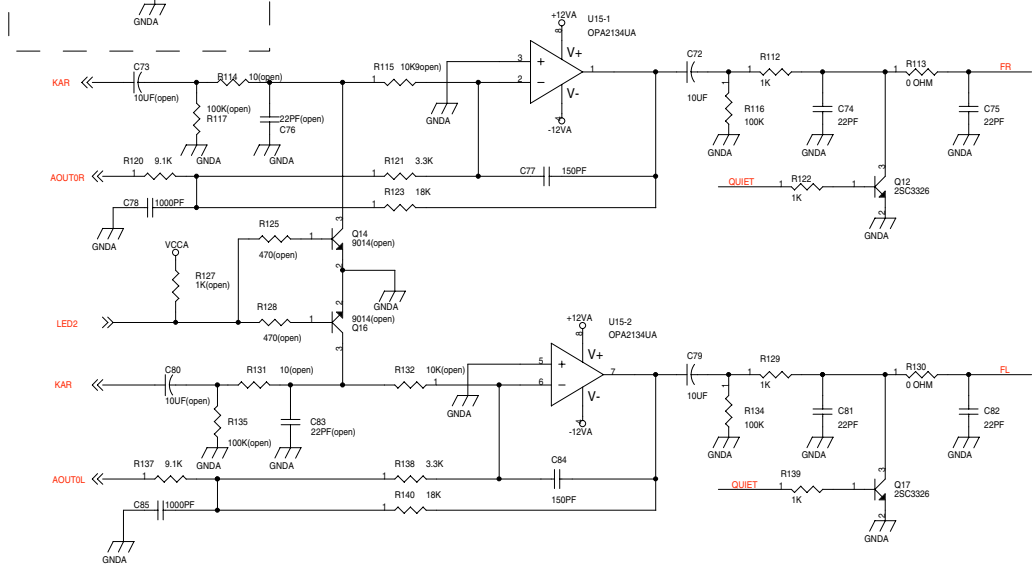
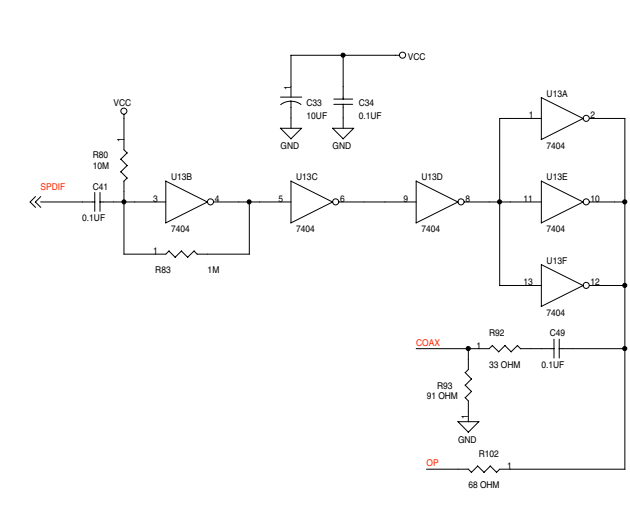
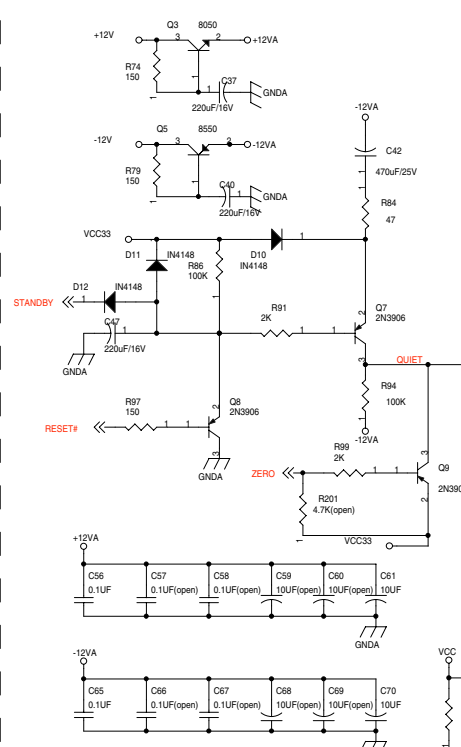
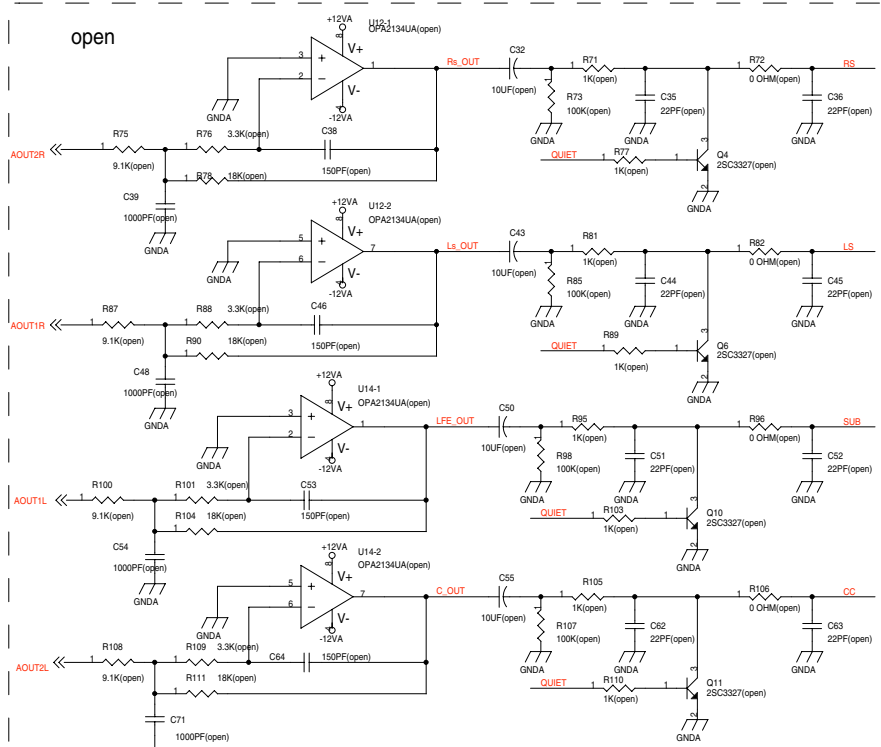
VIDEO OUTPUT TABLE

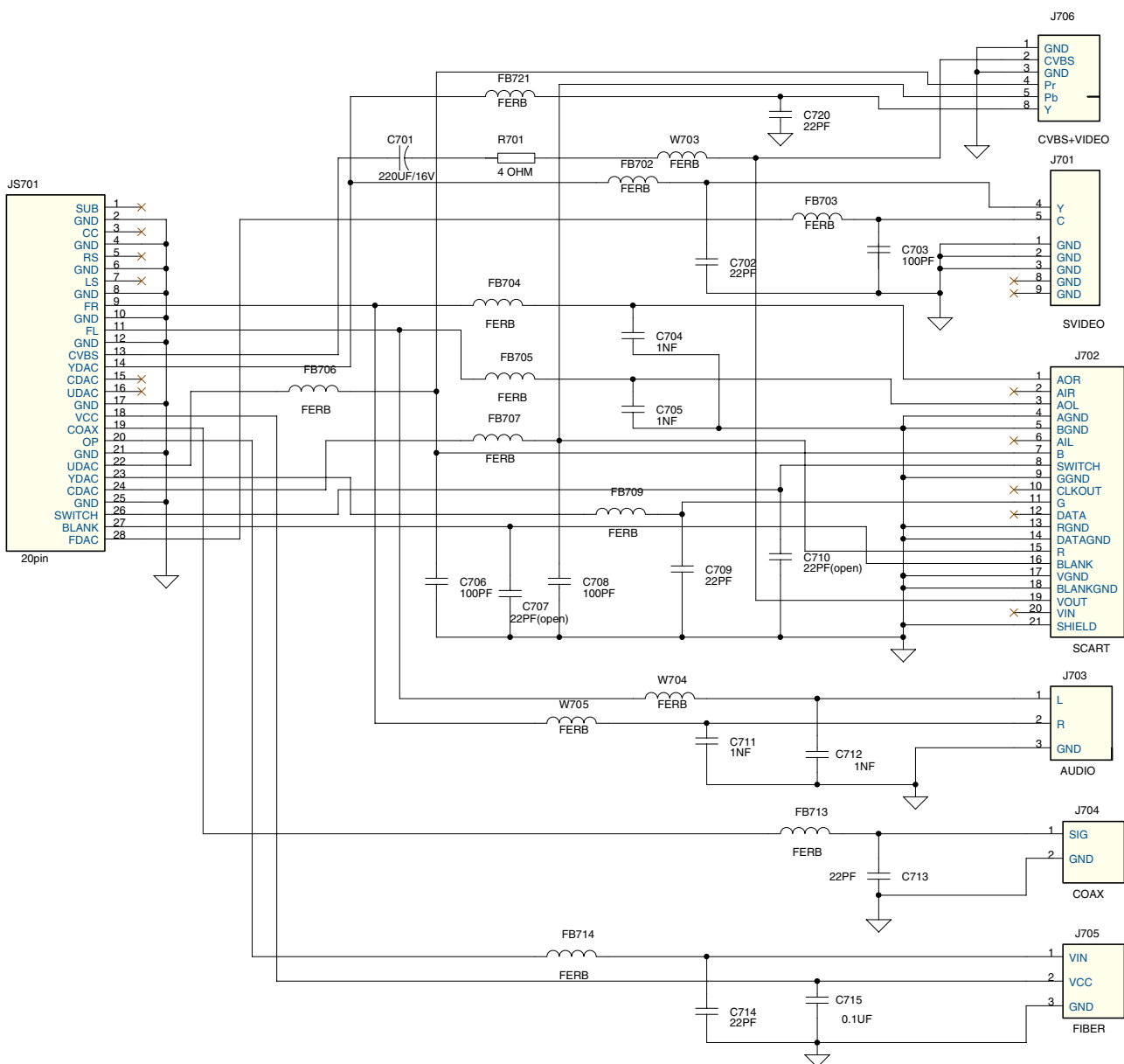
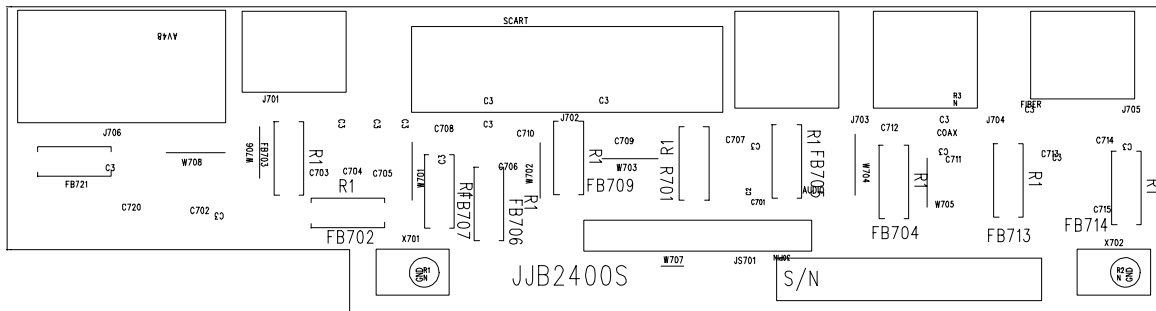
CVBS + SV	DECO	CVBS + YUV	SV	VIDEO + RGB	CVBS + RGB
YDAC	Y	Y	Y	G	CVBS
UDAC	U	U	U	R	B
SDAC	C	CVBS	C	CVBS	

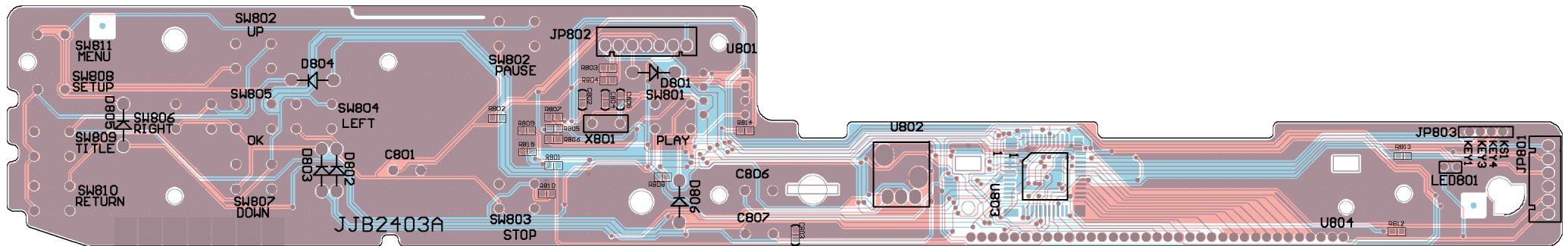
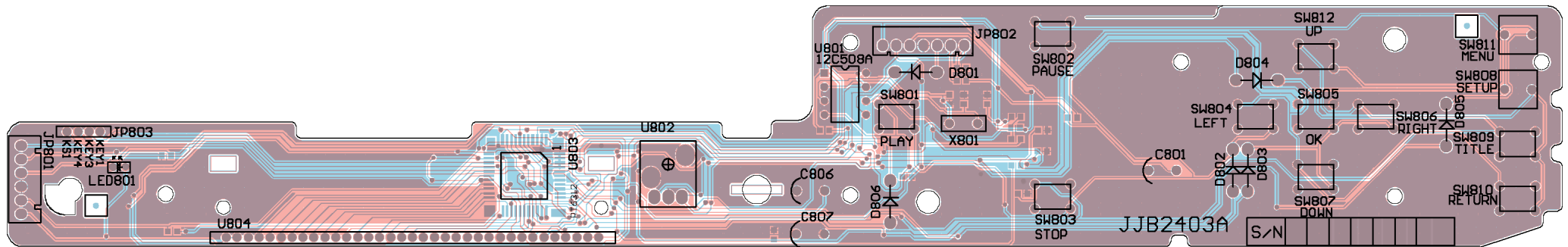


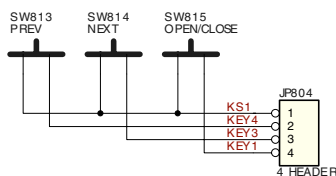
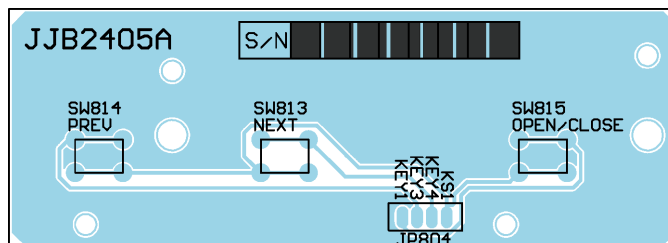
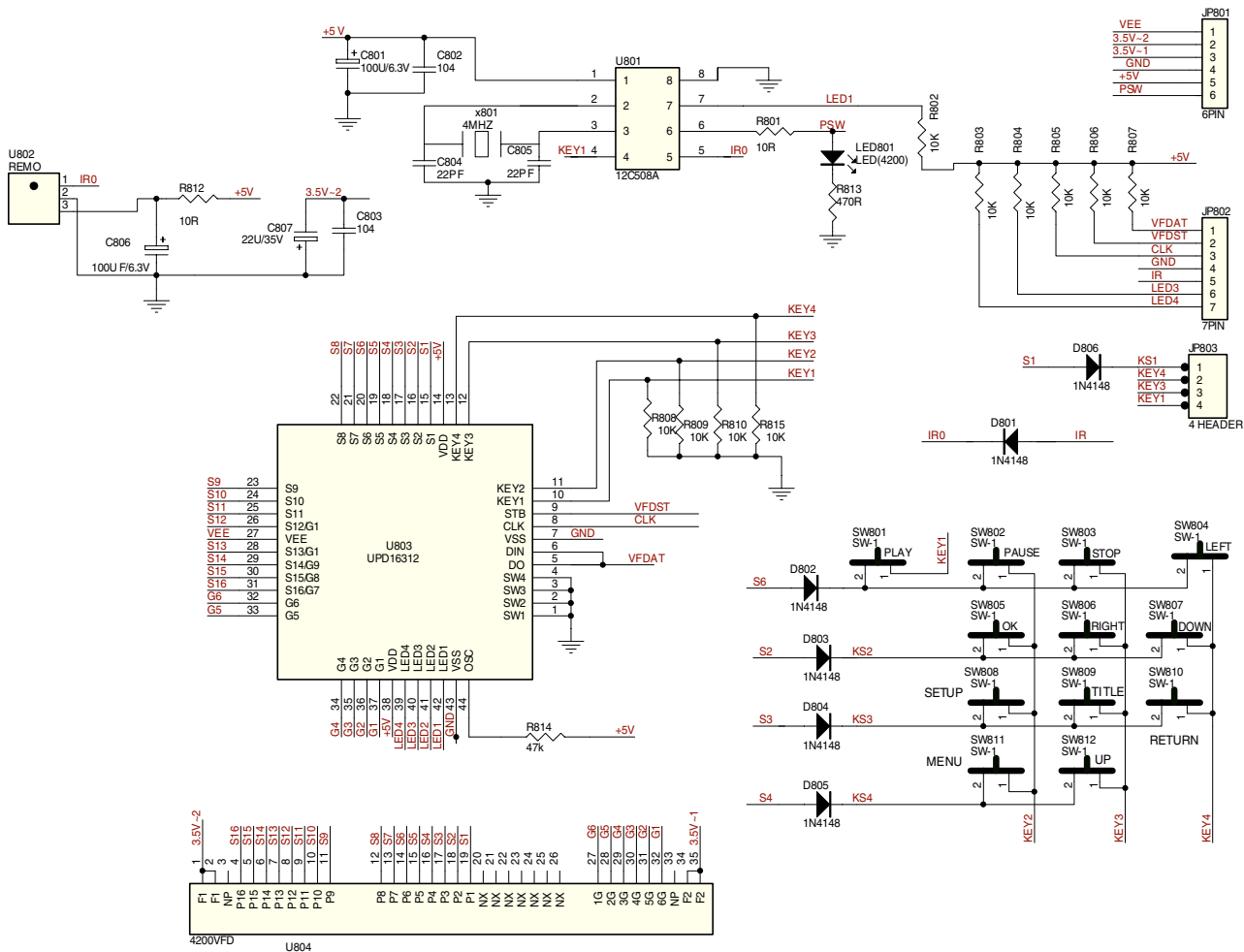












GRUNDIG

Ersatzteilliste Spare Parts List

DVD

7 / 2004

GDP 2400/1 GDP 2400/2

MATERIAL-NR. / PART NO.: 774010735100 BESTELL-NR. / ORDER NO.: GMK1500
MATERIAL-NR. / PART NO.: 774010745100 BESTELL-NR. / ORDER NO.: GMK1600

POS. NR. POS. NO.	ABB. FIG.	MATERIAL-NR. PART NUMBER	ANZ. QTY.	BEZEICHNUNG Ⓚ	DESCRIPTION ⓀB
		774010735100 774010745100		GDP 2400/1 GDP 2400/2	GDP 2400/1 GDP 2400/2
		774010735100		GDP 2400/1, GDP 2400/2 TAUSCHGERAET	GDP 2400/1, GDP 2400/2 EXCHANGE SET
0001.000		296420660200		TP 81 D FERNBEDIENUNG (GREY)	TP 81 D REMOTE CONTROL (GREY)
		720116035500 720116035600 720116035700 720116035800 720116035900		GDP 2400/1 BEDIENUNGSANLEITUNG D/NL BEDIENUNGSANLEITUNG F BEDIENUNGSANLEITUNG I BEDIENUNGSANLEITUNG D/I/F BEDIENUNGSANLEITUNG NL/F	GDP 2400/1 INSTRUCTION MANUAL D/NL INSTRUCTION MANUAL F INSTRUCTION MANUAL I INSTRUCTION MANUAL D/I/F INSTRUCTION MANUAL NL/F
		720116036000 720116036100 720116036200 720116036300 720110503700		GDP 2400/2 BEDIENUNGSANLEITUNG DK BEDIENUNGSANLEITUNG S/N BEDIENUNGSANLEITUNG E/P BEDIENUNGSANLEITUNG H BEDIENUNGSANLEITUNG PL	GDP 2400/2 INSTRUCTION MANUAL DK INSTRUCTION MANUAL S/N INSTRUCTION MANUAL E/P INSTRUCTION MANUAL H INSTRUCTION MANUAL PL

Es gelten die Vorschriften und Sicherheitshinweise gemäß dem Service Manual "Sicherheit", Mat.-Nummer 720108000001, sowie zusätzlich die eventuell abweichenden, landesspezifischen Vorschriften!



The regulations and safety instructions shall be valid as provided by the "Safety" Service Manual, part number 720108000001, as well as the respective national deviations.

ÄNDERUNGEN VORBEHALTEN / SUBJECT TO ALTERATION